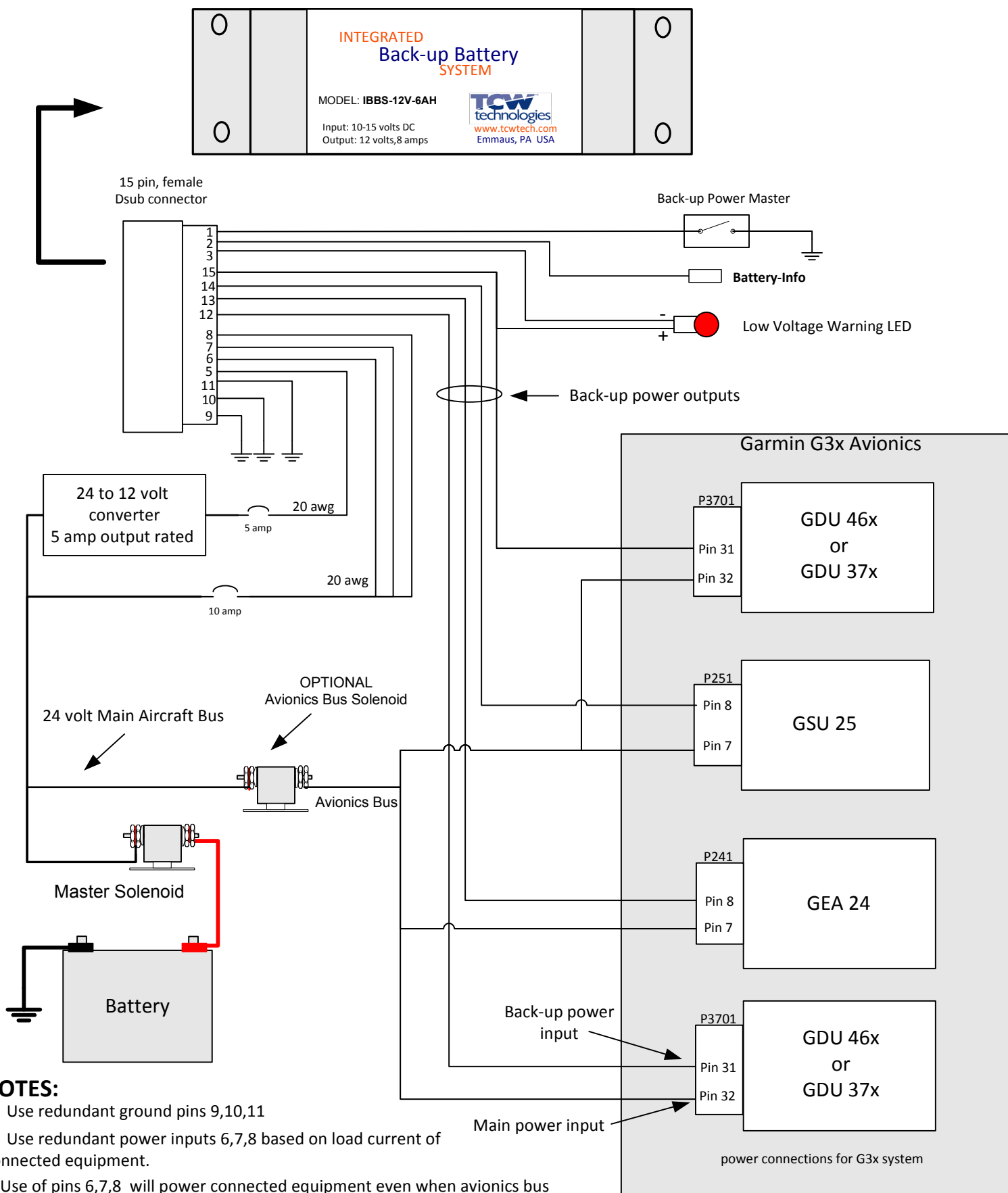


# Wiring Diagram IBBS-12v-6ah

## 24 volt applications



### NOTES:

- 1) Use redundant ground pins 9,10,11
- 2) Use redundant power inputs 6,7,8 based on load current of connected equipment.
- 3) Use of pins 6,7,8 will power connected equipment even when avionics bus is OFF via pass thru mode. IF THIS IS NOT DESIRED WIRE CONVERTER AND PASS THRU TO AVIONICS BUS RATHER THAN MAIN BUS
- 4) See Garmin install manual for all wiring details and fusing requirements