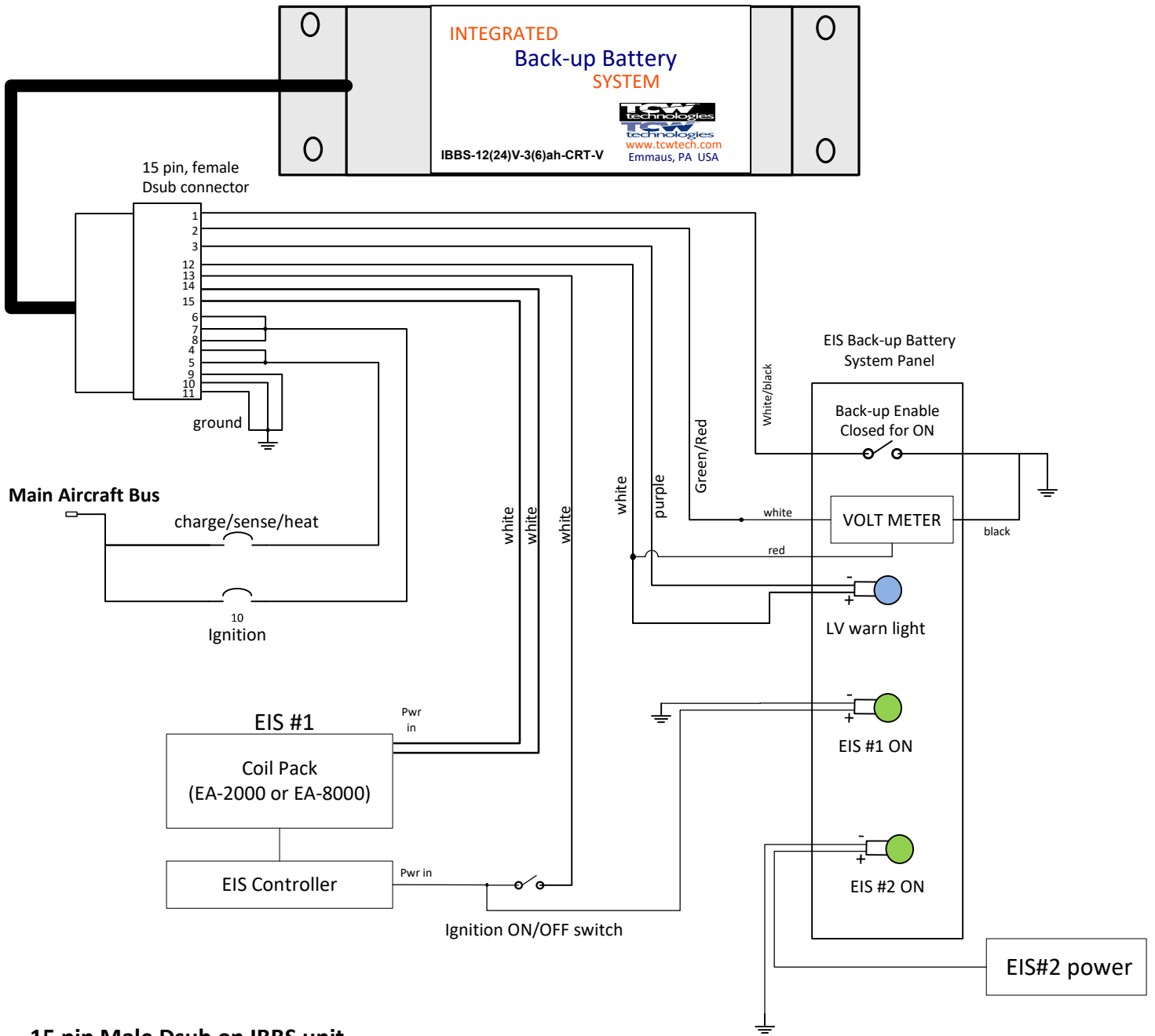
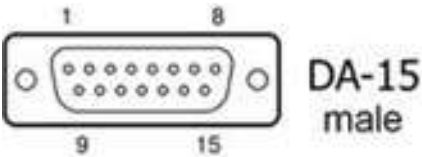


TCW IBBS system with Electroair EIS



15 pin Male Dsub on IBBS unit



Pin #	Function	Wire Color	Pin #	Function	Wire Color
1	Back-up Enable	White/black	9	Ground	Black
2	Battery info/volt meter	Green/red	10	Ground	Black
3	LV warning, -	Purple	11	Ground	Black
4	Pwr + in, heater, 12v only	Green	12	Output, LV warn power +	White
5	Pwr + in, charge/sense	Red/white	13	Output	White
6	Pwr + in, pass-thru input	Red	14	Output	White
7	Pwr + in, pass-thru input	Red	15	Output	White
8	Pwr + in, pass-thru input	Red			